

**Technigraph**  
CORPORATION

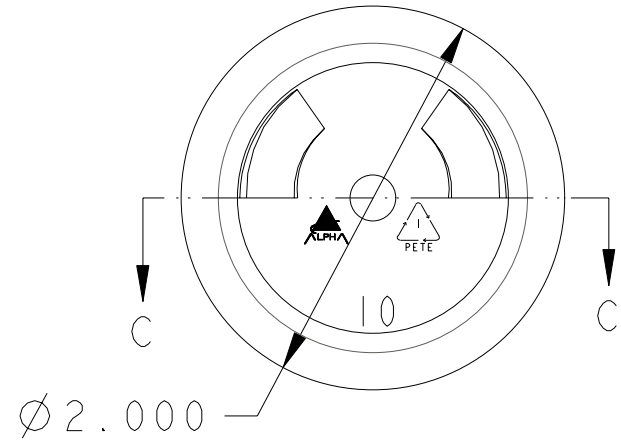
**SCALE 1-1 Actual Size**

APPROVED: \_\_\_\_\_ DATE: **10/14/15**

The ART & TECHNOLOGY OF PACKAGE DECORATION

TECHNIGRAPH STOCK NUMBER: \_\_\_\_\_ Estimated decorating template

This preliminary decorating template is for the bottle defined per  
• Alpha drawing number P0236CYSS024B •  
For specific bottle details please refer to the latest  
engineer drawing/revision for this container.



Neck Finish: M24SP410		<b>DISCLAIMER:</b> Alpha Packaging assumes no responsibility for form, fit and function of closures, accessories, and/or shelf life and compatability of intended contents with this bottle.					
© Alpha Packaging, Inc. All measurements are in inches	Min Thk	Color	Weight	Std. Pack	Revisions		 Packaging, Inc. (314) 427-4300-(800) 421-4772
	.010	All Colors	25.5 Gms±1	352, Stack			
Neck Dimensions:					Tolerance: Where not shown Decimal ±0.050 Angular ±1°		Drawn By: SCT Date: 10-24-07 DwgRev: -
T = .932±.008 E = .848±.008 H = .646±.015 I = .516 MIN S = .046±.015		Overflow Capacity: 255 ml ± 7			Material: PET		Approved By: CGR Drawing NO: P0236CYSS024B