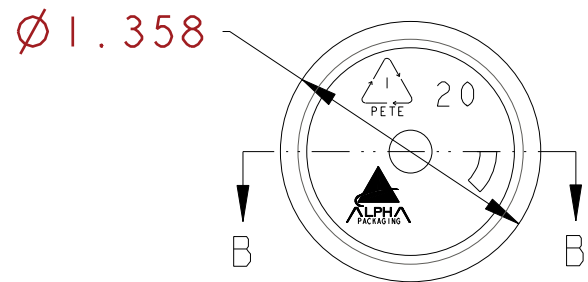
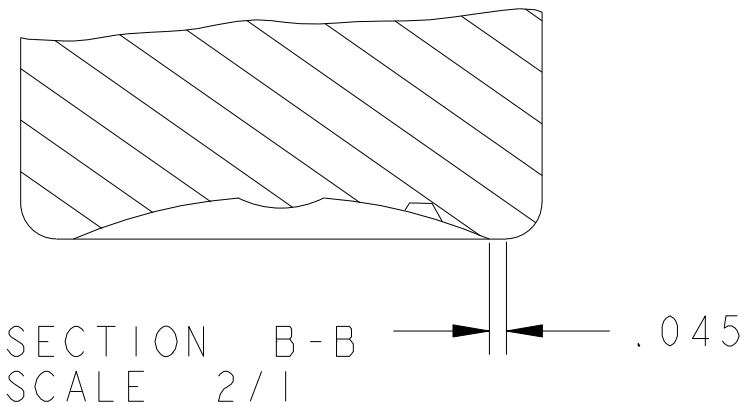
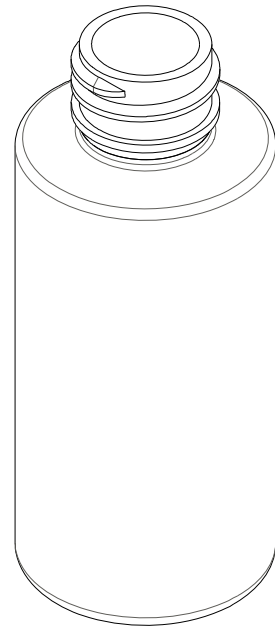


DETAIL A
SCALE 2/1



△ MAX SCREEN PRINT AREA



SCALE 1-1 Actual Size Technigraph CORPORATION

APPROVED:

DATE: 08/24/15


The ART & TECHNOLOGY OF PACKAGE DECORATION

PHONE 507-454-3830 FAX 507-454-6470

TECHNIGRAPH STOCK NUMBER: Estimated decorating template

This preliminary decorating template is for the bottle defined per
 • Alpha drawing number 50LR1AV20M410 •
 For specific bottle details please refer to the latest
 engineer drawing/revision for this container.

NOTE:
 CLOSURES WITH MORE THAN 1 1/2 TURNS OF THREAD MAY
 INTERFERE WITH BEAD, WHICH ALSO MAY RESULT IN AN
 IMPROPER SEAL AT LAND AREA.

| | | | | | | | |
|--|---------|---|------------|------------|---|------------------------|--|
| Neck Finish: M20SP410 | | DISCLAIMER: Alpha Packaging assumes no responsibility for form, fit and function of closures, accessories, and/or shelf life and compatability of intended contents with this bottle. | | | | | |
| © Alpha Packaging, Inc. All measurements are in inches, [Metric] | Min Thk | Color | Weight | Std. Pack | Revisions | |  Packaging, Inc. (314) 427-4300-(800) 421-4772 |
| | .012 | All Colors | 9.5 Gms ±1 | 1120, Bulk | A | Add note, 5/16/11, sct | |
| Neck Dimensions: | | | | | Tolerance: Where not shown Decimal ±0.05 [1,27] Angular ±1° | | Scale: _____ Drawn By: SCT Date: 07-18-02 50ml LIQUID ROUND, PET, 20-410 CT Approved By: SJ Drawing NO: 50LR1AV20M410 |
| T = .775±.008 E = .691±.008 H = .554±.015 I = .404 MIN S = .037±.015 | | Overflow Capacity: 60 ml ± 2.0 | | | Material: PET | | |

DwgRev
A