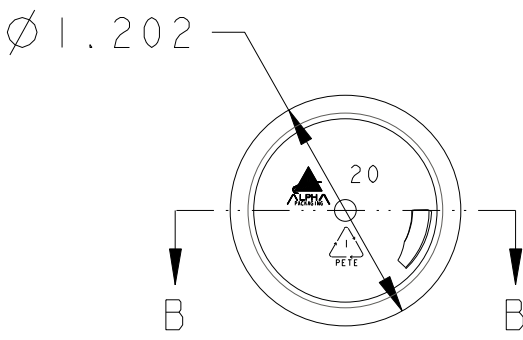


Technigraph CORPORATION
SCALE 1-1 Actual Size
APPROVED: **DATE: 04/02/13**
The ART & TECHNOLOGY of PACKAGE DECORATION
PHONE 507-454-9830 FAX 507-454-9470
TECHNIGRAPH STOCK NUMBER: Estimated decorating template
 This preliminary decorating template is for the bottle defined per
 • Alpha drawing number 1BR1XX20M410 •
 For specific bottle details please refer to the latest engineer drawing/revision for this container.

ALPHA Packaging, Inc
 (314) 427-4300 - (800) 421-4772
 Scale: Drawn By: SCT Date: 08-03-04
33ml BOSTON ROUND, PET, 20-410 CT DwgRev **B**
 Approved By: Drawing NO:
 S J 33BR1XX20M410



NOTE:
 CLOSURES WITH MORE THAN 1 1/2 TURNS OF THREAD MAY INTERFERE WITH BEAD, WHICH ALSO MAY RESULT IN AN IMPROPER SEAL AT LAND AREA.

Neck Finish: M20SP410		DISCLAIMER: Alpha Packaging assumes no responsibility for form, fit and function of closures, accessories, and/or shelf life and compatibility of intended contents with this bottle.					
© Alpha Packaging, Inc. All measurements are in inches, [Metric]	Min Thk	Color	Weight	Std. Pack	Revisions		
	.015	All Colors	9.5 Gms ±1	875, Bulk	A	Add 8.2g, 9/27/06, sct	
	.012	All Colors	8.2 Gms ±1	875, Bulk	B	Add note, 5/16/11, sct	
Neck Dimensions: T = .775±.008 E = .691±.008 H = .554±.015 I = .404 MIN S = .037±.015				Tolerance: Where not shown Decimal ±0.05 [1,27] Angular ±1°		 Alpha Packaging, Inc. (314) 427-4300--(800) 421-4772 Scale: Drawn By: SCT Date: 08-03-04 33ml BOSTON ROUND, PET, 20-410 CT DwgRev B Approved By: Drawing NO: S J 33BR1XX20M410	
Overflow Capacity: 36 ml ± 2.5				Material: PET			

APPROX. 33ml FILL LEVEL