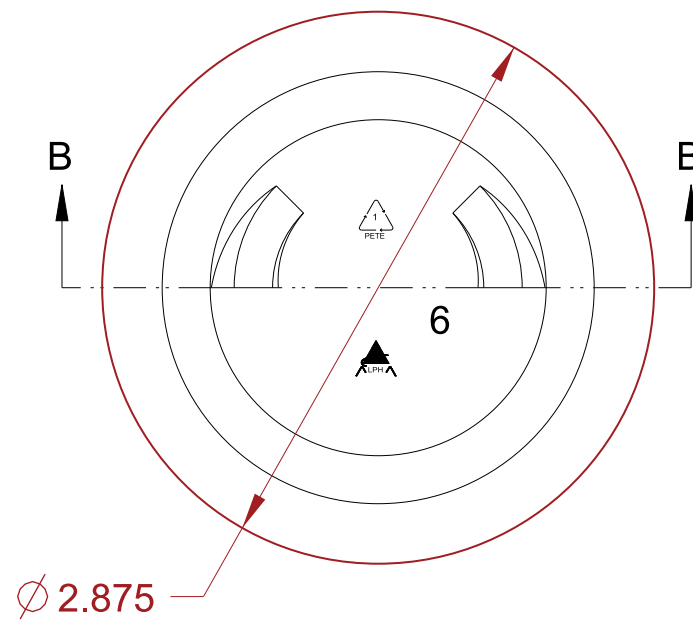
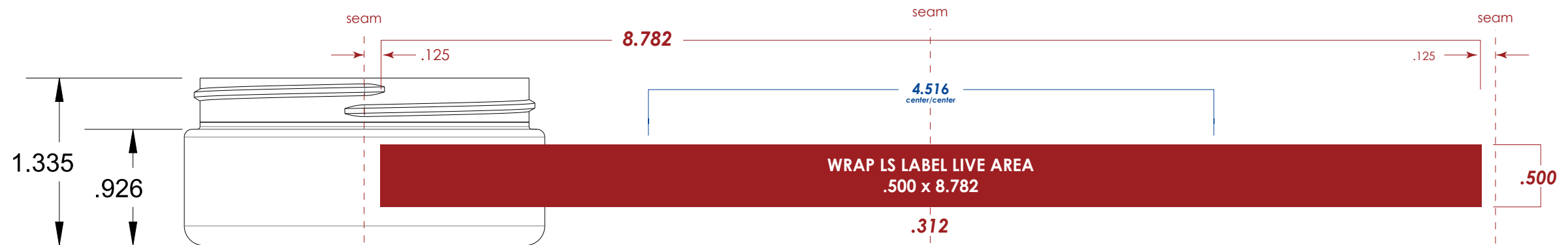
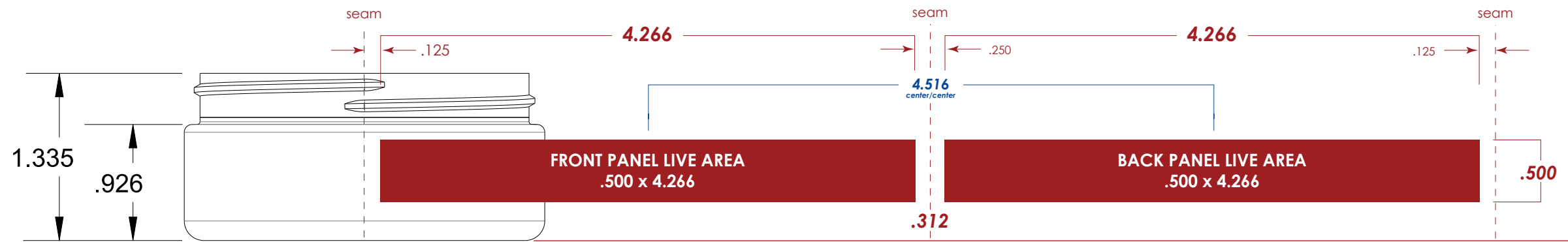



DETAIL A  
SCALE 1/1



**SCALE 1-1 Actual Size Technigraph**

APPROVED: **DATE: 08/31/16**  
 The ART & TECHNOLOGY of PACKAGE DECORATION  
**TECHNIGRAPH STOCK NUMBER:** Estimated decorating template

This preliminary decorating template is for the bottle defined per  
 • Alpha drawing number 3JR1SS70L400 •  
 For specific bottle details please refer to the latest  
 engineer drawing/revision for this container.

Neck Finish: L70SP400		DISCLAIMER: Alpha Packaging assumes no responsibility for form, fit and function of closures, accessories, and/or shelf life and compatability of intended contents with this bottle.					
© Alpha Packaging, Inc. All measurements are in inches, [Metric]	Min Thk	Color	Weight	Std. Pack	Revisions		 Packaging, Inc. (314) 427-4300-(800) 421-4772
	.015	All Colors	21.5 Gm ± 3	296, Bulk	A	Gmwat was 23.8.5/7/09.sct	
					B	Updated weight tol. 12-05-14 RAB	Drawn By: SCT
							Date: 05-Dec-14
Neck Dimensions: T = 2.718 ± .018 E = 2.624 ± .018 H = .408 ± .015 I = 2.247 MIN S = .046 ± .015						Tolerance: Where not shown Decimal ± 0.05 [1,27] Angular ± 1°	DwgRev: B
Overflow Capacity: 110 ml ± 4						Material: <b>PET</b>	Approved By: <b>CGR</b>
							Drawing NO: 3JR1SS70L400