

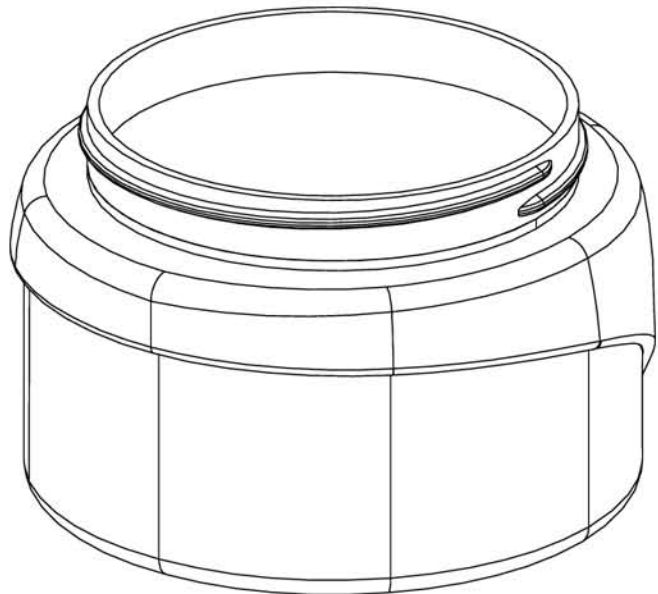


## PROTOTYPE MOLDS

### PET Milan Jar

Size: 8oz

Neck Finish: 70-400



[www.alphap.com](http://www.alphap.com)

Headquarters & St. Louis Plant  
1555 Page Industrial Blvd  
St. Louis, MO 63132 USA  
T. 800-421-4772 or 314-427-4300  
F. 314-427-5445

Salt Lake City Plant  
2041 South 5070 West  
Salt Lake City, UT 84104 USA  
T. 866-746-7133 or 801-746-7133  
F. 801-746-7137

Bethlehem Plant  
1995 Highland Ave, Suite 400  
Bethlehem, PA 18020 USA  
T. 866-282-7901 or 601-974-9001  
F. 601-974-9022

Jacksonville Plant  
1550 North Ellis Road  
Jacksonville, FL 32254 USA  
T. 866-896-5923 or 904-229-0505  
F. 904-693-7850